



RH-6 trolley jack

Art. No. 0715 54 160

Pack Qty.: 1

- Load capacity 6,000 kg.
- Foot pedal for activating the quick-lift function.
- Supplied without pneumatic wheels.

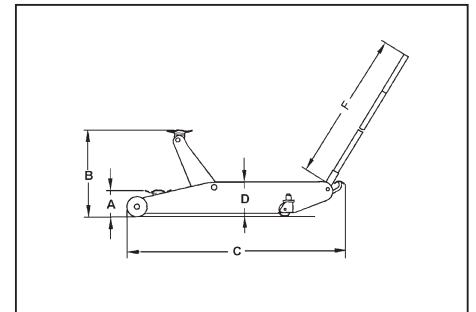
Accessories:

Pneumatic wheels for high steerability

Art. No. 0715 54 15

Technical data

Art. No.	0715 54 100	0715 54 140	0715 54 150	0715 54 160	
Type	RHC-2	RHC-2H	RH-4	RH-6	
Load capacity	kg	2,000	2,000	4,000	6,000
Minimum height	A mm	80	98	145	150
Maximum height	B mm	500	735	560	570
Frame length	C mm	730	1,050	1,270	1,395
Frame height	D mm	160	210	200	210
Lever length	F mm	925	1,045	1,045	1,045
Weight	kg	36	53	70	90



Accessories (not included)



Cast iron wheels with rubber coating

Art. No. 0715 54 16 for RH-2H and RH-2

Art. No. 0715 54 165 for RHC-2 and RHC-2H

- For protecting the workshop floor.



Saddle cushion made from oil-resistant rubber

Art. No. 0715 54 17 for RH-2H and RH-2

Art. No. 0715 54 170 for RHC-2 and RHC-2H

- Protects the bottom of the vehicle from damage.



Pneumatic wheels (incl. axle accessories)

Art. No. 0715 54 15 for RH-4 and RH-6

- Facilitate transportation and ensure good steerability.
- These wheels do not need to be removed during the lifting process.



Axle crosspiece (mounting pivot \varnothing 25 mm)

Art. No. 0715 54 14 for RHC-2, RHC-2H, RH-2H and RH-2

- Load capacity 1,200 kg, minimum width 750 mm, maximum width 1,080 mm.
- For lifting front wheel drive vehicles that have no front crosspiece.
- Enables both wheels to be changed quickly.