

Spot Weld Drill Bit

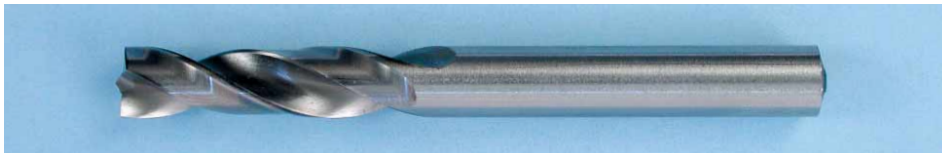
- Special drill bit for the removal of spot welds.
→ Fixed centering tip means that no centre-punching is required.
- Improved PLUS centering tip is also suitable for high-strength car body sheets.
→ The optimized geometry of the tip means a longer service life than for conventional spot weld drill bits.
- Suitable for use in any standard drill.

Tips to enhance the lifespan of the centering tip:

- Do not use in drills with an impact chuck or spindles.
- Set the drill to a suitable speed; the speed of compressed air devices is generally set too high.



Ø mm	Total length mm	Groove length mm	Art. No.	Pack Qty.
6	65	28	0710 006 6	1
8	78	38	0710 008 8	
10	88	44	0710 010 10	



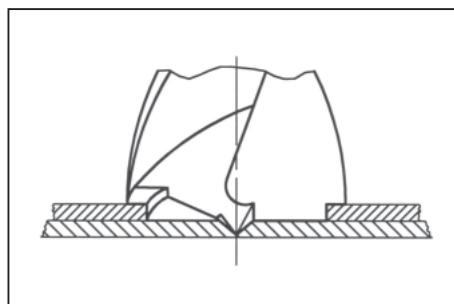
Ø mm	Total length mm	Groove length mm	Art. No.	Pack Qty.
6	65	28	0710 006	1
8	78	38	0710 008	



Ø mm	Total length mm	Groove length mm	Art. No.	Pack Qty.
6	65	28	0710 6	1
8	78	38	0710 8	



Drilling Ø mm	Stop Ø mm	Total length mm	Art. No.	Pack Qty.
7,5	10	88	0710 001 0	1



HSCO Spot Weld Drill Bit TIN-coated

- TIN coating extends cutting life by a factor of between two and three.
- Maximum speed:
for Ø 6: up to 1,200 rpm,
for Ø 8: up to 950 rpm,
for Ø 10: up to 730 rpm.

HSCO Spot Weld Drill Bit

- Long cutting life thanks to HSCO material.
- Maximum speed:
for Ø 6: up to 1,100 rpm,
for Ø 8: up to 850 rpm.

HSS Spot Weld Drill Bit

- Recommended speed:
for Ø 6: up to 920 rpm,
for Ø 8: up to 700 rpm.

HSCO Spot Weld Drill Bit with Step

For the quick and precise drilling-out of spot welds in car bodywork repairs. The PLUS centering tip guarantees a long service life.

- The step at the tip of the bit acts as a stop and indicates to the user the exact drilling depth.
→ This prevents unintentional drilling-through into the second sheet of metal.
- If the user notices that the step is touching the metal only on one side, then the drill is tilting.
→ The tilt can then be easily corrected.
- Improved PLUS centering tip for modern high-strength car body sheets.
→ The centering tip has a long service life.
- Recommended speed: 600–670 rpm.