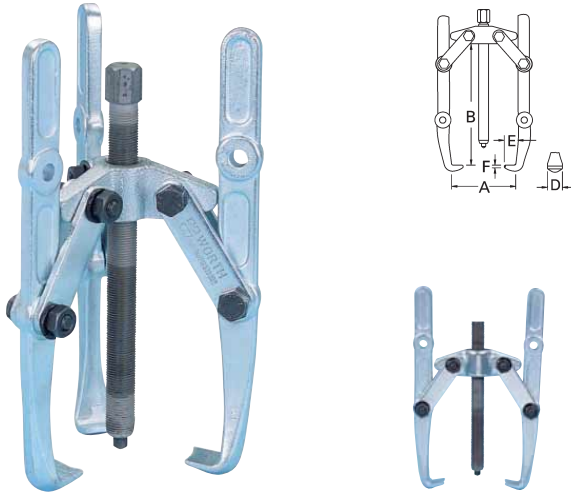




PULLER TWO-ARM OR THREE-ARM PULLER

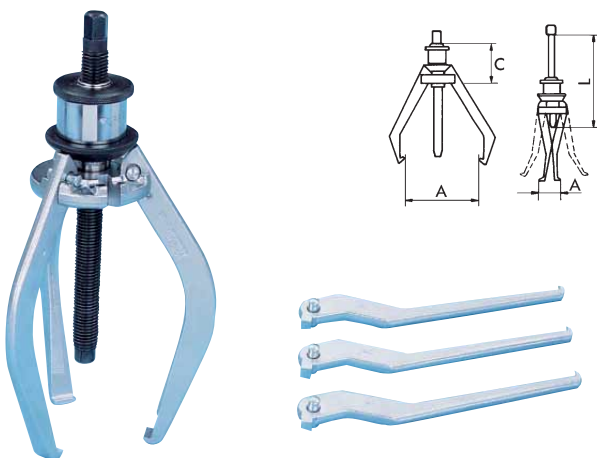


The 2x depth-adjustable hooks are pressed on automatically.

- Can be converted to different clamping depths.
- Suitable for pulling pulleys and wheels mounted on longer shafts.
- Under load, the puller arms are pressed on all the more firmly the greater the pull-off force becomes.
- This makes the pulling operation particularly safe.
- Cross-member and hooks drop-forged.
- Spindle is nitrocarburized.
- Exactly milled feet reliably and gently reach behind parts to be pulled off.

A in mm	B in mm	 in mm	L in mm	 in mm	D in mm	E in mm	F in mm	max. t	Arms	Art. No.	P. Qty.
130	140	M14 x 1.5	140	17	18	11	2	2	2-arm	0714 522 132	1
130	140	M14 x 1.5	140	17	18	11	2	3	3-arm	0714 523 132	1
200	210	M18 x 1.5	200	19	25	16	3	5	2-arm	0714 522 202	1
200	210	M18 x 1.5	200	19	25	16	3	7,5	3-arm	0714 523 202	1
250	260	G1/2"	250	24	32	18	3.5	8	2-arm	0714 522 252	1
250	260	G1/2"	250	24	32	18	3.5	12	3-arm	0714 523 252	1

OUTER AND INNER PULLER SET



The variable puller system can also be used with 2 or 3 arms.

- The set contains 3 internal puller arms and 3 external puller arms.
- The modular system brings economic advantages.
- The conversion from an inner to an outer puller or from 2 to 3 puller arms is carried out without tools.
- Conversion takes a matter of seconds.
- Thanks to the spring mechanism, only 2 arms must be actuated so that all 3 arms open or close.
- Simple and comfortable use.
- Under load, the puller arms are pressed on all the more firmly the greater the pull-off force becomes.
- This makes the pulling operation particularly safe.
- Cross-member and hooks drop-forged.
- Spindle is nitrocarburized.
- Exactly milled feet reliably and gently reach behind parts to be pulled off.

used	A in mm	B in mm	C in mm	L in mm	Art. No.	P. Qty.
Outside	7-140	147	65	190	0715 52 40	1
Inside	23-130	140	68	190		