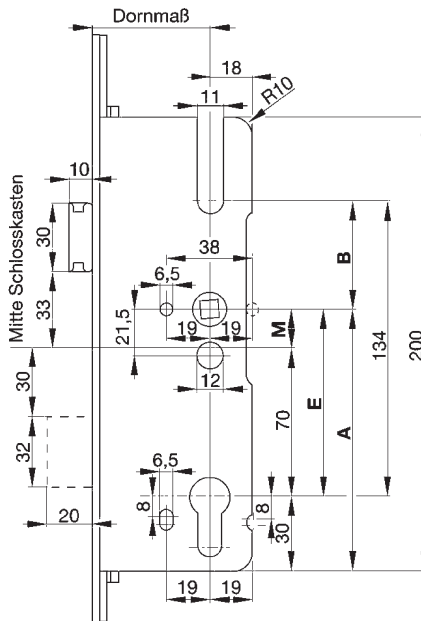
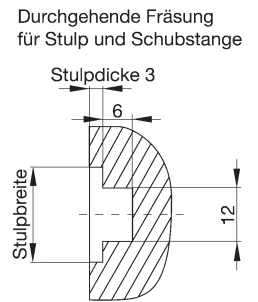
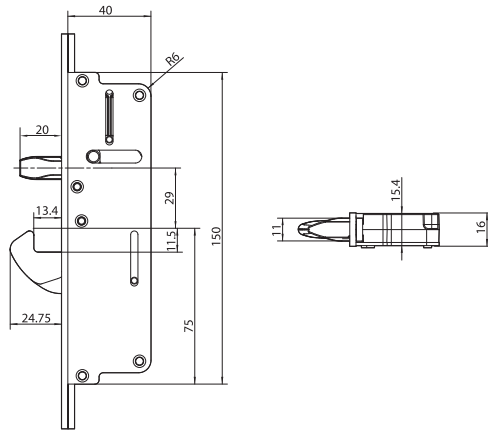
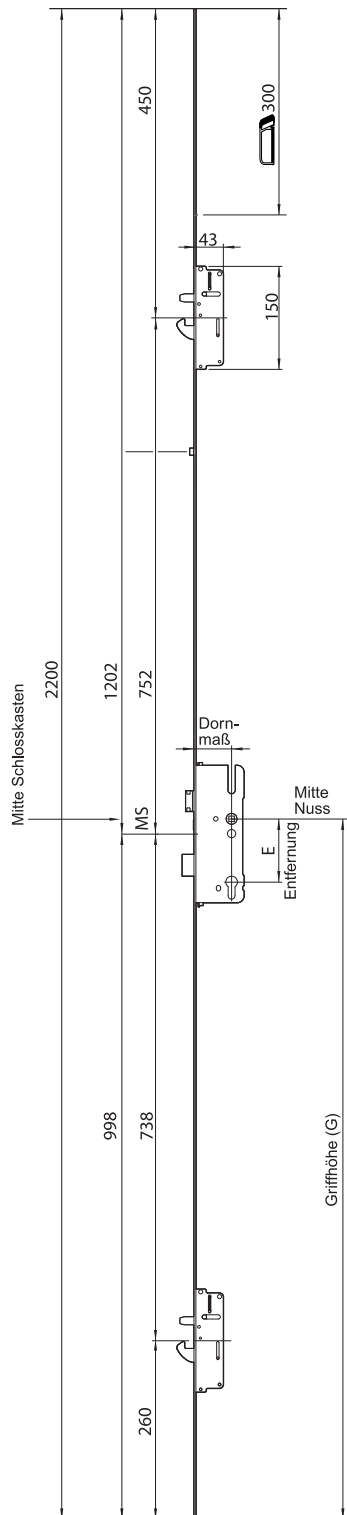


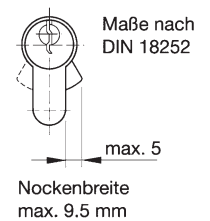
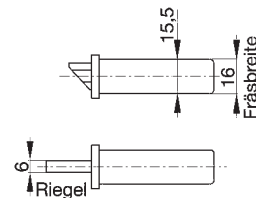
# MULTIPLE LOCK

with 2 pins and 2 power wedges  
(combination lock)

## Technical information:



Dornmaß			E	A	B	M	G
•	•	-	72	102	62	2	1000
-	•	•	92	122	42	22	1020



### Installation tip

Assy plus FBS, 4 mm dia., blue passivated, Art. No. 0165 744 0.. can be used for installation.