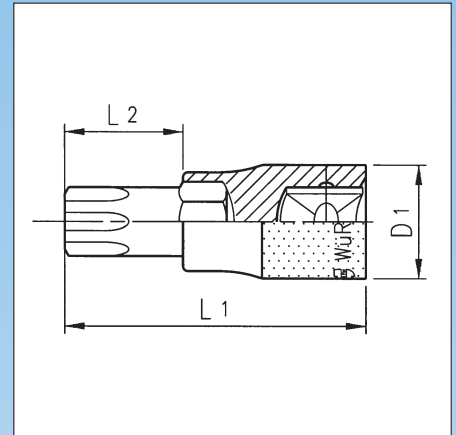


1/4" Socket Spanners for Screws with Inside 5-Star Head

Design: chrome-plated, matt
 Drive: 1/4", ball catch groove
 Bit: 5-star profile with drilled hole
 Geometry: short

- Application: Special profile with drilled hole for mounting:
 - Temperature sensors, air flow sensors and modern diesel injection systems. (pump-nozzle unit, pump-line-nozzle, common rail) e.g. Bosch injection systems for VW, Audi, Seat, Skoda, BMW, Opel, Mercedes-Benz (Atego and Actros).
 - Airbag system (DC).
 - Immobiliser control unit (EWS3) for Rover 75 MG ZT.
 - Switch cabinets on radio transmission masts.
 - Outside rearview mirrors (Mercedes-Benz C, E, S-Class).



Size		mm	L1 mm	L2 mm	D1 mm	Art. No.	
10		2.7	37.0	17.5	12.0	0715 113 910	1
15		3.0	37.0	17.5	12.0	0715 113 915	
20		3.5	37.0	17.5	12.0	0715 113 920	
25		4.1	37.0	17.5	12.0	0715 113 925	
27		4.6	37.0	17.5	12.0	0715 113 927	
30		5.1	37.0	17.5	12.0	0715 113 930	
40		6.1	37.0	17.5	12.0	0715 113 940	

1/4" Socket Spanner Set



Set		5-star profile with drilled hole	Art. No.	
7		10, 15, 20, 25, 27, 30, 40 including clamping strip	0715 113 900	1