

## Screw cap for number plate screw

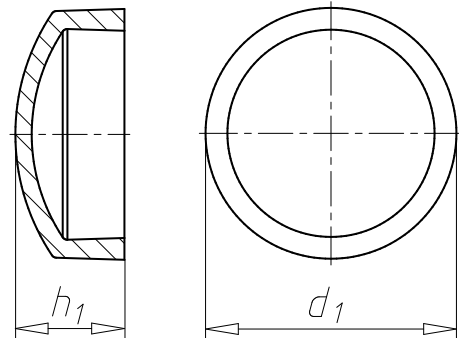
### For number plate screws

- Material: High-density polyethylene
- The cap is pressed on in the same way as pushing a button
- Additional, more effective rust protection for galvanic treatment
- Water, oil and alkali-resistant
- Prevents contamination of the screw slots and injuries due to the sharp-edged screw heads

Material	Plastic
RoHS-compliant	Yes
Outer diameter ( $d_1$ )	11.5 mm
Height ( $h_1$ )	5 mm



Illustration only



Colour	Art. no.	P. Qty.
Black	<b>0590 10 6</b>	100/500
Blue	<b>0590 102</b>	100/500
Pure white	<b>0590 103</b>	100/500