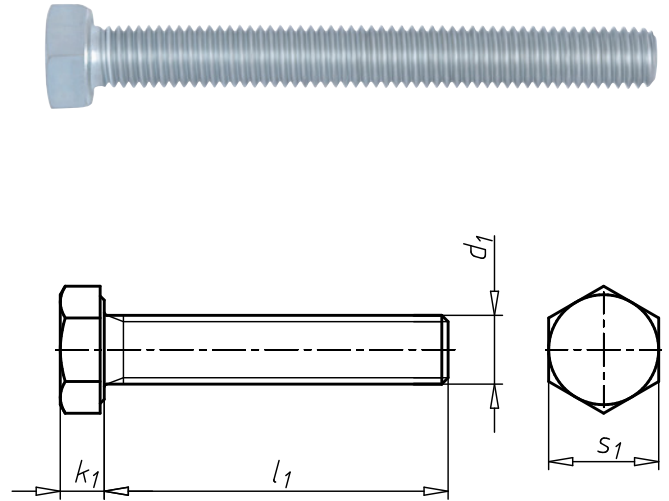


## Hexagonal bolt with thread up to the head

**DIN 933, 8.8 zinc-plated steel, blue passivated (A2K)**

Standards	DIN 933
Material	Steel
Property class	8.8
Surface	Zinc plated
RoHS-compliant	Yes



Thread type x nominal diameter (d <sub>1</sub> )	Length (l <sub>1</sub> )	Head height (k <sub>1</sub> )	External drive (s <sub>1</sub> )	Art. no.	P. Qty.
M7	25 mm	4.8 mm	WS11	<b>0057 7 25</b>	200
M7	30 mm	4.8 mm	WS11	<b>0057 7 30</b>	200
M7	35 mm	4.8 mm	WS11	<b>0057 7 35</b>	200
M10	8 mm	6.4 mm	WS17	<b>0057 10 8</b>	100
M10	10 mm	6.4 mm	WS17	<b>0057 10 10</b>	200
M10	12 mm	6.4 mm	WS17	<b>0057 10 12</b>	200
M10	14 mm	6.4 mm	WS17	<b>0057 10 14</b>	100
M10	16 mm	6.4 mm	WS17	<b>0057 10 16</b>	200
M10	18 mm	6.4 mm	WS17	<b>0057 10 18</b>	200
M10	20 mm	6.4 mm	WS17	<b>0057 10 20</b>	200
M10	22 mm	6.4 mm	WS17	<b>0057 10 22</b>	200
M10	25 mm	6.4 mm	WS17	<b>0057 10 25</b>	100/200
M10	28 mm	6.4 mm	WS17	<b>0057 10 28</b>	200
M10	30 mm	6.4 mm	WS17	<b>0057 10 30</b>	100/200
M10	35 mm	6.4 mm	WS17	<b>0057 10 35</b>	100/200
M10	40 mm	6.4 mm	WS17	<b>0057 10 40</b>	100
M10	45 mm	6.4 mm	WS17	<b>0057 10 45</b>	100
M10	50 mm	6.4 mm	WS17	<b>0057 10 50</b>	100
M10	55 mm	6.4 mm	WS17	<b>0057 10 55</b>	50/100
M10	60 mm	6.4 mm	WS17	<b>0057 10 60</b>	50/100
M10	65 mm	6.4 mm	WS17	<b>0057 10 65</b>	50/100
M10	70 mm	6.4 mm	WS17	<b>0057 10 70</b>	25/100
M10	75 mm	6.4 mm	WS17	<b>0057 10 75</b>	25/50
M10	80 mm	6.4 mm	WS17	<b>0057 10 80</b>	25/100
M10	85 mm	6.4 mm	WS17	<b>0057 10 85</b>	100
M10	90 mm	6.4 mm	WS17	<b>0057 10 90</b>	25/100
M10	100 mm	6.4 mm	WS17	<b>0057 10 100</b>	25/100
M10	110 mm	6.4 mm	WS17	<b>0057 10 110</b>	25/50
M10	120 mm	6.4 mm	WS17	<b>0057 10 120</b>	25/50
M10	125 mm	6.4 mm	WS17	<b>0057 10 125</b>	50
M10	130 mm	6.4 mm	WS17	<b>0057 10 130</b>	50
M10	135 mm	6.4 mm	WS17	<b>0057 10 135</b>	50

Thread type x nominal diameter (d <sub>1</sub> )	Length (l <sub>1</sub> )	Head height (k <sub>1</sub> )	External drive (s <sub>1</sub> )	Art. no.	P. Qty.
M10	140 mm	6.4 mm	WS17	<b>0057 10 140</b>	50
M10	150 mm	6.4 mm	WS17	<b>0057 10 150</b>	50
M10	160 mm	6.4 mm	WS17	<b>0057 10 160</b>	50
M10	165 mm	6.4 mm	WS17	<b>0057 10 165</b>	25
M10	180 mm	6.4 mm	WS17	<b>0057 10 180</b>	50
M10	190 mm	6.4 mm	WS17	<b>0057 10 190</b>	50
M10	200 mm	6.4 mm	WS17	<b>0057 10 200</b>	50
M10	240 mm	6.4 mm	WS17	<b>0057 10 240</b>	25
M10	250 mm	6.4 mm	WS17	<b>0057 10 250</b>	25
M10	255 mm	6.4 mm	WS17	<b>0057 10 255</b>	25
M10	260 mm	6.4 mm	WS17	<b>0057 10 260</b>	25
M12	10 mm	7.5 mm	WS19	<b>0057 12 10</b>	100
M12	12 mm	7.5 mm	WS19	<b>0057 12 12</b>	100
M12	14 mm	7.5 mm	WS19	<b>0057 12 14</b>	100
M12	16 mm	7.5 mm	WS19	<b>0057 12 16</b>	100
M12	18 mm	7.5 mm	WS19	<b>0057 12 18</b>	100
M12	20 mm	7.5 mm	WS19	<b>0057 12 20</b>	100/200
M12	22 mm	7.5 mm	WS19	<b>0057 12 22</b>	100
M12	25 mm	7.5 mm	WS19	<b>0057 12 25</b>	100/200
M12	28 mm	7.5 mm	WS19	<b>0057 12 28</b>	100
M12	30 mm	7.5 mm	WS19	<b>0057 12 30</b>	100/200
M12	35 mm	7.5 mm	WS19	<b>0057 12 35</b>	100/200
M12	40 mm	7.5 mm	WS19	<b>0057 12 40</b>	100
M12	45 mm	7.5 mm	WS19	<b>0057 12 45</b>	100
M12	50 mm	7.5 mm	WS19	<b>0057 12 50</b>	50/100
M12	55 mm	7.5 mm	WS19	<b>0057 12 55</b>	50/100
M12	60 mm	7.5 mm	WS19	<b>0057 12 60</b>	50/100
M12	65 mm	7.5 mm	WS19	<b>0057 12 65</b>	50
M12	70 mm	7.5 mm	WS19	<b>0057 12 70</b>	50
M12	75 mm	7.5 mm	WS19	<b>0057 12 75</b>	50
M12	80 mm	7.5 mm	WS19	<b>0057 12 80</b>	50
M12	85 mm	7.5 mm	WS19	<b>0057 12 85</b>	50
M12	90 mm	7.5 mm	WS19	<b>0057 12 90</b>	50
M12	95 mm	7.5 mm	WS19	<b>0057 12 95</b>	50
M12	100 mm	7.5 mm	WS19	<b>0057 12 100</b>	25/50
M12	110 mm	7.5 mm	WS19	<b>0057 12 110</b>	25/50
M12	120 mm	7.5 mm	WS19	<b>0057 12 120</b>	25/50
M12	130 mm	7.5 mm	WS19	<b>0057 12 130</b>	25/50
M12	140 mm	7.5 mm	WS19	<b>0057 12 140</b>	25/50
M12	150 mm	7.5 mm	WS19	<b>0057 12 150</b>	25/50
M12	160 mm	7.5 mm	WS19	<b>0057 12 160</b>	25
M12	165 mm	7.5 mm	WS19	<b>0057 12 165</b>	25
M12	170 mm	7.5 mm	WS19	<b>0057 12 170</b>	25
M12	180 mm	7.5 mm	WS19	<b>0057 12 180</b>	25
M12	190 mm	7.5 mm	WS19	<b>0057 12 190</b>	25
M12	200 mm	7.5 mm	WS19	<b>0057 12 200</b>	25
M12	220 mm	7.5 mm	WS19	<b>0057 12 220</b>	25
M12	230 mm	7.5 mm	WS19	<b>0057 12 230</b>	10
M12	240 mm	7.5 mm	WS19	<b>0057 12 240</b>	25
M12	260 mm	7.5 mm	WS19	<b>0057 12 260</b>	10
M12	280 mm	7.5 mm	WS19	<b>0057 12 280</b>	25
M12	340 mm	7.5 mm	WS19	<b>0057 12 340</b>	25
M14	20 mm	8.8 mm	WS22	<b>0057 14 20</b>	100
M14	25 mm	8.8 mm	WS22	<b>0057 14 25</b>	100

Thread type x nominal diameter (d <sub>1</sub> )	Length (l <sub>1</sub> )	Head height (k <sub>1</sub> )	External drive (s <sub>1</sub> )	Art. no.	P. Qty.
M14	30 mm	8.8 mm	WS22	<b>0057 14 30</b>	100
M14	35 mm	8.8 mm	WS22	<b>0057 14 35</b>	100
M14	40 mm	8.8 mm	WS22	<b>0057 14 40</b>	50/100
M14	45 mm	8.8 mm	WS22	<b>0057 14 45</b>	50
M14	50 mm	8.8 mm	WS22	<b>0057 14 50</b>	50
M14	55 mm	8.8 mm	WS22	<b>0057 14 55</b>	50
M14	60 mm	8.8 mm	WS22	<b>0057 14 60</b>	50
M14	65 mm	8.8 mm	WS22	<b>0057 14 65</b>	50
M14	70 mm	8.8 mm	WS22	<b>0057 14 70</b>	50
M14	75 mm	8.8 mm	WS22	<b>0057 14 75</b>	50
M14	80 mm	8.8 mm	WS22	<b>0057 14 80</b>	50
M14	85 mm	8.8 mm	WS22	<b>0057 14 85</b>	50
M14	90 mm	8.8 mm	WS22	<b>0057 14 90</b>	50
M14	95 mm	8.8 mm	WS22	<b>0057 14 95</b>	25
M14	100 mm	8.8 mm	WS22	<b>0057 14 100</b>	50
M14	120 mm	8.8 mm	WS22	<b>0057 14 120</b>	50
M14	130 mm	8.8 mm	WS22	<b>0057 14 130</b>	50
M14	140 mm	8.8 mm	WS22	<b>0057 14 140</b>	25
M14	150 mm	8.8 mm	WS22	<b>0057 14 150</b>	50
M14	160 mm	8.8 mm	WS22	<b>0057 14 160</b>	25
M14	180 mm	8.8 mm	WS22	<b>0057 14 180</b>	25
M14	200 mm	8.8 mm	WS22	<b>0057 14 200</b>	25
M22	40 mm	14 mm	WS32	<b>0057 22 40</b>	25
M22	45 mm	14 mm	WS32	<b>0057 22 45</b>	25
M22	50 mm	14 mm	WS32	<b>0057 22 50</b>	25
M22	55 mm	14 mm	WS32	<b>0057 22 55</b>	25
M22	60 mm	14 mm	WS32	<b>0057 22 60</b>	25
M22	65 mm	14 mm	WS32	<b>0057 22 65</b>	25
M22	70 mm	14 mm	WS32	<b>0057 22 70</b>	25
M22	75 mm	14 mm	WS32	<b>0057 22 75</b>	25
M22	80 mm	14 mm	WS32	<b>0057 22 80</b>	25
M22	85 mm	14 mm	WS32	<b>0057 22 85</b>	25
M22	90 mm	14 mm	WS32	<b>0057 22 90</b>	25
M22	100 mm	14 mm	WS32	<b>0057 22 100</b>	25
M22	110 mm	14 mm	WS32	<b>0057 22 110</b>	10
M22	120 mm	14 mm	WS32	<b>0057 22 120</b>	10
M22	160 mm	14 mm	WS32	<b>0057 22 160</b>	10
M22	180 mm	14 mm	WS32	<b>0057 22 180</b>	10
M22	190 mm	14 mm	WS32	<b>0057 22 190</b>	10
M22	220 mm	14 mm	WS32	<b>0057 22 220</b>	10
M36	190 mm	22.5 mm	WS55	<b>0057 36 190</b>	1
M64	100 mm	40 mm	WS95	<b>0057 64 100</b>	1
M64	140 mm	40 mm	WS95	<b>0057 64 140</b>	1

### Notice

DIN 933 has been withdrawn and replaced by ISO 4017. There is some similarity (nominal dimensions extended | Width across flats changed for M10, M12, M14 and M22).